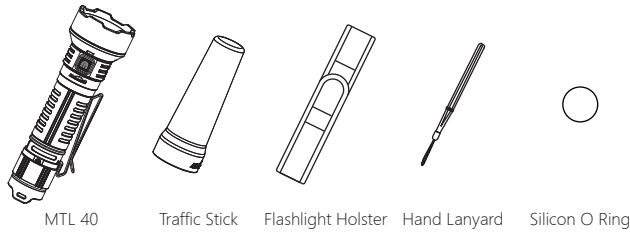
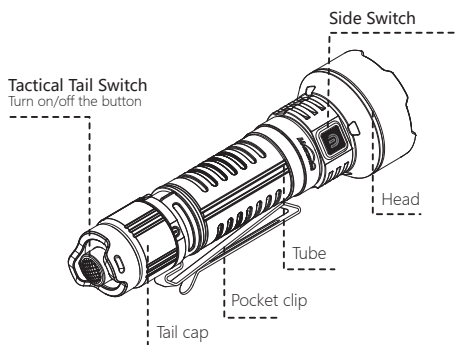


MTL 40 USER MANUAL

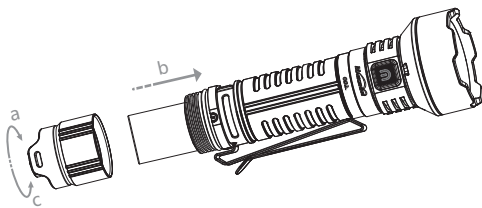
ACCESSORY/STRUCTURE



PRODUCT INTRODUCTION



BATTERY INSTALLATION



- Unscrew the tail cap.
- Load the battery make sure the anode end to face the head of flashlight.
- Screw the tail cap tightly.

Battery compatibility

BATTERY TYPE	SIZE	VOLTAGE	QTY	YES/NO
Li-on	18650	3.6V/3.7V	1 pc	Recommend
Disposable Lithium	CR123A	3V	2 pcs	Work

△ Please use 18650 battery with protective board. The end user will take full responsibilities and liabilities of any loss or accident caused by using poor quality battery or improper operation.



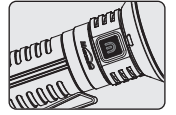
MAS-C1

This flashlight is compatible with MAGICSHINE MAS-C1 charge & discharge module (excluded), which can recharge 18650 battery and work as a power bank.

BATTERY INDICATOR

When flashlight turns on, the indicator in the side switch will display for 3 seconds to indicate the battery level.

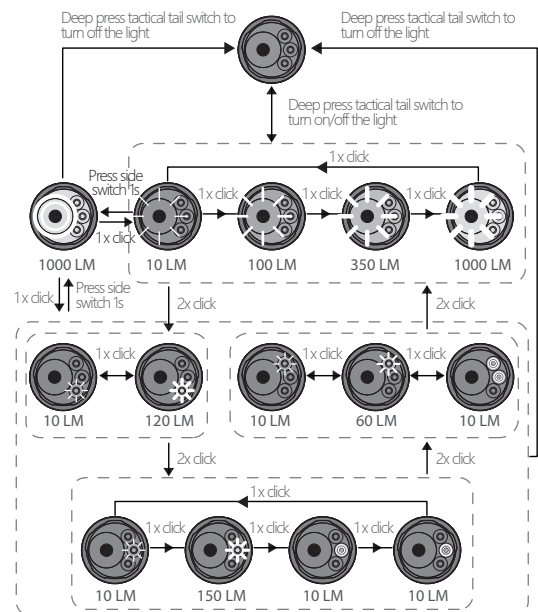
- FLASHES RED 24%-1%
- ILLUMINATES RED 49%-25%
- FLASHES GREEN 74%-50%
- ILLUMINATES GREEN 100%-75%



△ Note: Battery indication is effective only using 18650 battery, when the power is running out, the indicator will flash automatically in red till power off.

OPERATION INSTRUCTION

Soft press the tail switch to turn the light on momentarily.



△ Note: When the light is turned on again, it will return to the previously memorized mode except the Strobe mode.

LUMENS/RUN TIME

WHITE LIGHT	LOW	MID	HIGH	TURBO	STROBE
LUMENS	10	100	350	1000	1000
h:min	124:00	19:34	06:51	03:00	/
YELLOW LIGHT	LOW	HIGH	/	/	/
LUMENS	10	120	/	/	/
h:min	96:39	09:05	/	/	/
RED LIGHT	LOW	HIGH	FAST FLASH	SOS	/
LUMENS	10	150	10	/	/
h:min	94:00	09:30	/	/	/
BLU-RAY	LOW	HIGH	FAST FLASH	/	/
LUMENS	10	60	10	/	/
h:min	94:00	35:12	/	/	/

⚠ Note: The above specification tested by Magicshine through its laboratory using 3500mAh 18650 rechargeable Li-on battery, the true performance of this product may vary according to different working environments and actual batteries used.

⚠ WARNING



EN WARRANTY

The Magicshine lighting system is warranted for 24 months from the date of purchase.

If you register the lighting system on the Magicshine website you will receive a bonus 6 month warranty.

Battery packs and AC adapters have a 6 month warranty, however, there is no bonus warranty available.

The warranty is limited to defects in material and workmanship on the lighting system itself, the battery pack and the AC adapter.

The warranty is only valid if the affected parts have not been tampered with and there is no intentional damage. Please keep your proof of purchase in a safe place. Proof of purchase must be presented in the event of any claim. Please contact the specialist retailer from whom you purchased the device for complaint or warranty claim.

Alternatively, you can send your complaint or claim directly to Magicshine at

Tel: (+86) 755-295 536 69

Fax: (+86)755-275 897 77

E-mail: support@magicshine.com (order from Magicshine.com online store)

service@magicshine.com (order from other sales channels)

In the event of a justified warranty claim and delivery of a replacement device, you will only be entitled to a model available when replacing.

The manufacturer retains the right to make technical modifications.

ANSI FL 1 STANDARD



1. Size: 133(L)x25(T)x40(Head) mm

2. N.W: 115g

